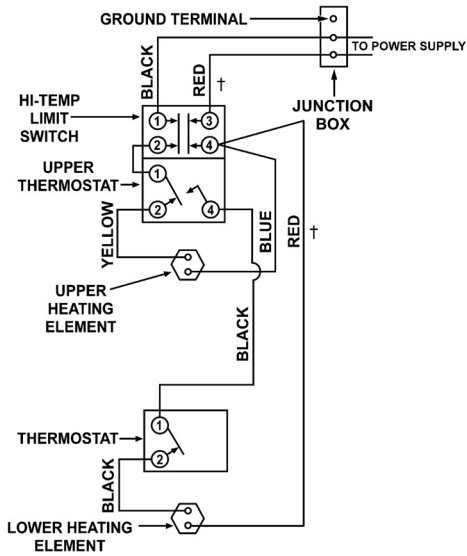


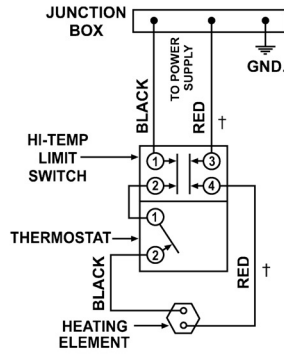
# DIAGRAMS

## Thermostat Wiring Diagram

**A-6**  
TWO WIRE CIRCUIT FOR NON-SIMULTANEOUS  
OPERATION, HAS SINGLE HIGH LIMIT CONTROL



**C-2**  
STANDARD SINGLE ELEMENT



† 120V AND 277 WILL HAVE WHITE WIRE  
IN PLACE OF RED.

**MAXIMUM ALLOWABLE SIMULTANEOUS OPERATION**  
5000/5000 WATTS AT 208 VOLTS 5500/5500 WATTS AT 240  
VOLTS. ANY WATTAGE USAGE HIGHER THAN LISTED ABOVE  
EXCEEDS ALLOWABLE AMP DRAW AND WILL CAUSE DAMAGE  
TO THE WATER HEATER.